



## GENUINE PARTS

### INSTALLATION INSTRUCTIONS

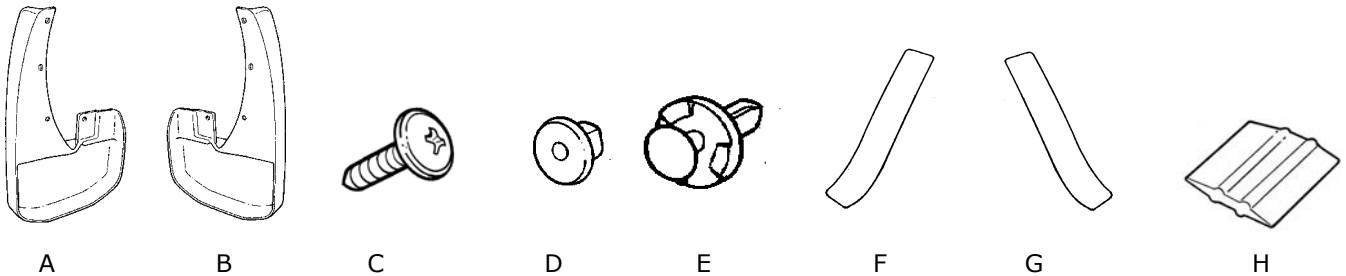
1. **DESCRIPTION:** Rear Splash Guard Kit

2. **APPLICATION:** Frontier

3. **PART NUMBER:** 999J2 BS00004

4. **KIT CONTENTS:**

Item	QTY	Description	Part Number
A	1	Splash Guard - Rear (Right)	78810 EA800
B	1	Splash Guard - Rear (Left)	78811 EA800
C	8	M5 x 15mm Screw	14-51 00841
D	8	M5 Grommet	12-81 00831
E	2	Push Pin	15-53 05323
F	1	Protective Tape (Right)	78812 ZP10A
G	1	Protective Tape (Left)	78813 ZP10A
H	1	Squeegee	n/a
I	1	Installation Instruction <a href="#">Replacement Template</a>	<a href="#">999V2 AW000</a>



5. **TOOLS REQUIRED:**

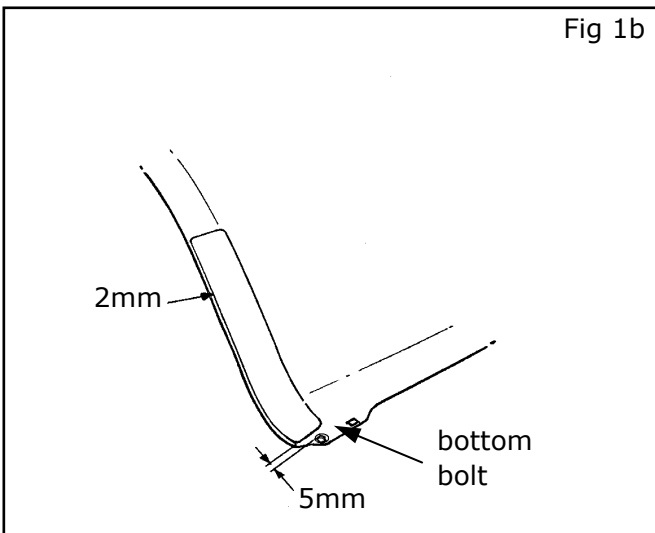
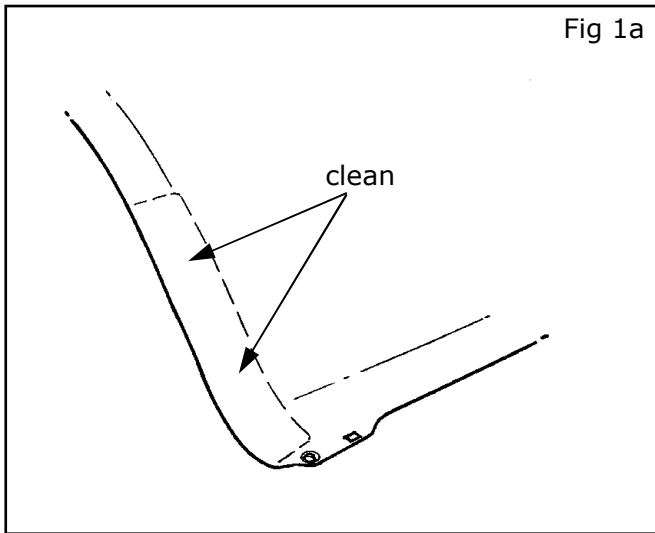
- clean cloth/rag
- #2 phillips 90° screwdriver
- spray bottle with 20% isopropyl alcohol / 80% water

6. **PRE-INSTALLATION NOTES:**

- These installation instructions are for the left side of the vehicle; the same procedure applies to the right side.

# INSTALLATION INSTRUCTIONS - Rear Splash Guard Kit

## 7. INSTALLATION PROCEDURE:



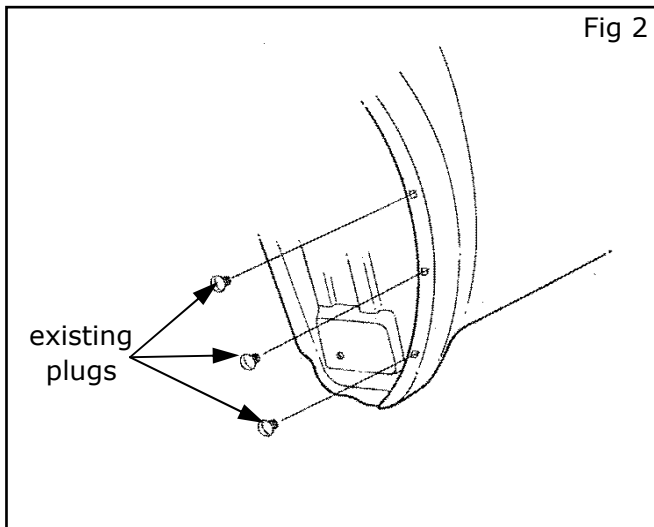
- 1) Install protective tape.
  - a) Clean installation surface with alcohol solution.
  - b) Remove the lower portion of the tape liner.
  - c) Spray the alcohol solution on both the tape and on the vehicle where the tape is to be applied.
  - d) Visually align the front edge of the tape approximately 2mm from the edge of the rear fender and 5mm from the bottom bolt.
  - e) Press the tape into place using the squeegee to remove the applied solution.

**NOTE:**

**START AT BOTTOM AND WORK UP, THEN REMOVE TOP PIECE OF BACKER.**

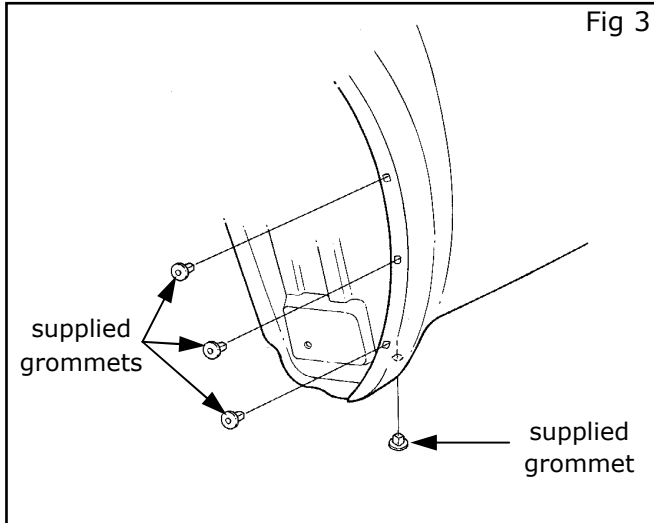
# INSTALLATION INSTRUCTIONS - Rear Splash Guard Kit

Fig 2



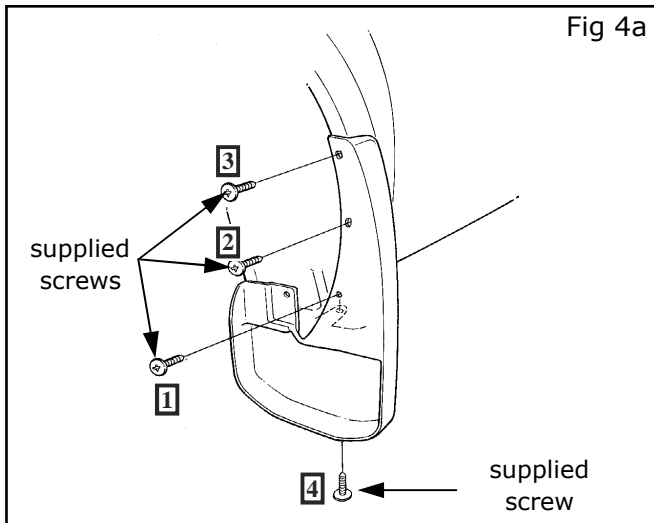
2) Remove and discard existing plugs.

Fig 3



3) Install supplied grommets.

Fig 4a

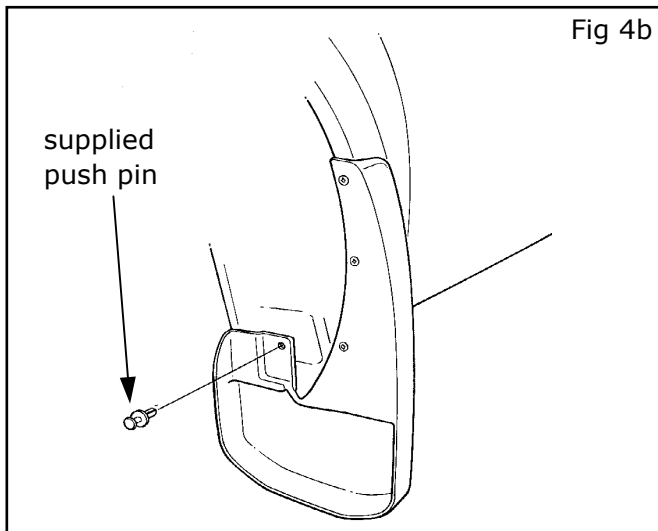


4) Install rear splash guard.  
a) Align splash guard to vehicle.  
b) Push upward, rearward and inward on part.  
c) Install supplied screws and tighten in sequence shown.

**NOTE:**

**HOLD THE SPLASH GUARD TIGHT TO THE VEHICLE WHILE TIGHTENING THE SCREWS TO ENSURE NO GAP OCCURS BETWEEN FENDER AND SPLASH GUARD.**

# INSTALLATION INSTRUCTIONS - Rear Splash Guard Kit



d) Install supplied push pin.